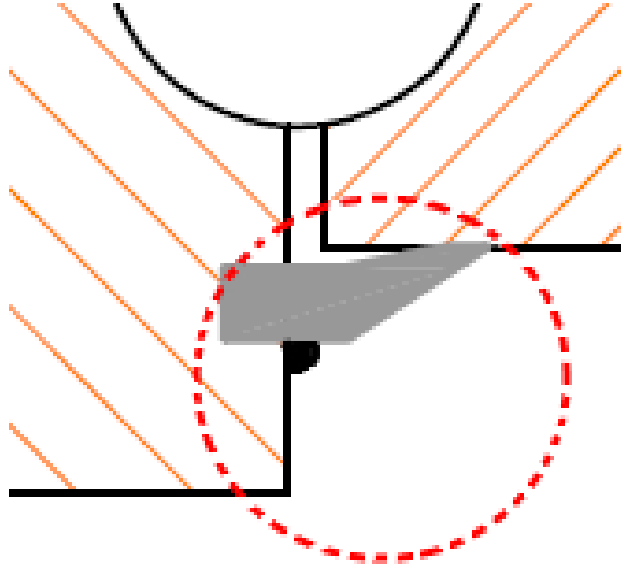


## Instruction manual to installing a new seal in a slewing ring



1. Remove all grease in the circled area.
2. Use a good de-greaser to clean the entire groove.
3. Place the new seal in the groove, cut it about 2-3 cm short and use special superglue to connect the two ends.
4. De-grease the seal and steel near it again.
5. Use the Innotec adhesive sealant along the entire circumference and wipe smooth.